

LLP 56LB

High Power LED Low Bay



Epoch IV

BENEFITS

- Low Power Consumption—Total 68W
- High Brightness - Up to 3170 Lumens
- High performance optical system
- Long Life - Up to 60,000 Hours
- Robust Design - Shock and vibration resistant
- Light Beam - Low heat generated / No UV radiation
- Excellent thermal management
- Narrow or wide beam pattern
- Excellent luminaries efficiency >85-90%

MAIN SPECIFICATIONS

LED Consumption	56W
System Consumption	68W
LED Initial Flux	4590 1m
LED Maintain Flux	4000 1m
Lighting fixture luminous Flux	3170 1m
Lamp Efficiency	>90%
Illumination (E)	(Height =6M) >164 lux
Correlated Colour Temp.(CCT)	5000-7000K
CRI	Ra>75
Cut Out size mm	200mm

General Specification

Voltage range	AC100-240V, 50-60Hz
Power Efficiency	82%
Beam Pattern/Beam Angle	Narrow(26°),wide(80°)
Operating Temp	-20to 45° C
Storage Temp	-40° C to 80° C
Life	>60,000Hrs
Working Humidity	10-90% RH
Cut Out size mm	200mm
Dimensions	225mm(dia) x (H) 275mm
Weight	3Kg
Working Temp	-20° C to 45

Narrow Bean Specification

Lighting fixture luminous flux	3170 1m
Max Luminance (Emax) @6 M	>164 lux

Wide Beam Specification

Lighting fixture luminous flux	3060 1m
Max. Luminance (Emax) @ 6 M	>47Lux

Specifications subject to change without notice

Ledlite-Power

9, Farnborough Business Centre, Eelmoor Road, Farnborough, Hampshire. GU14 7QN

Tel: +44 (0) 1252 515565

Fax: +44 (0) 1252 546021

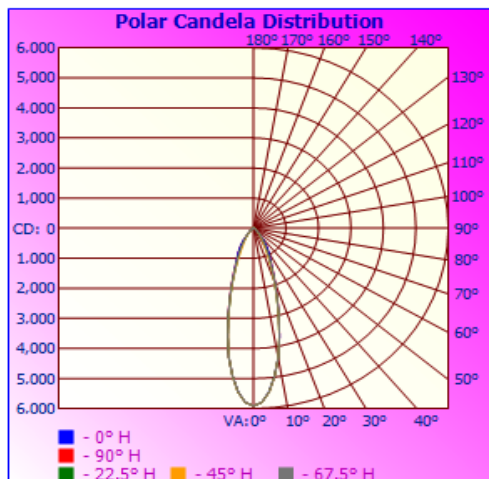
e-mail: sales@ledlite-power.com

web: www.ledlite-power.com

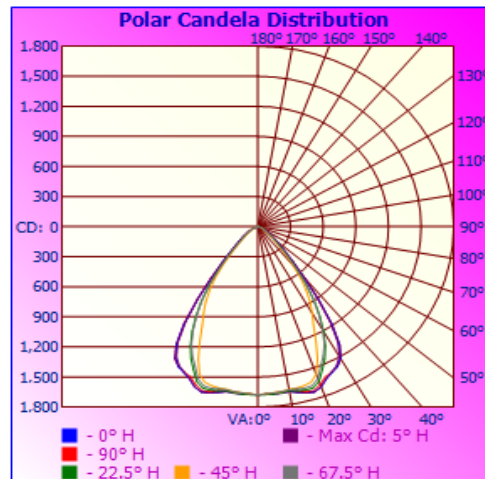
Photometric Data

I .Beam pattern(Narrow, 26°)

II. Beam pattern(Wide,80°)



	Efficiency	Lumens	Horizontal Spread	Vertical Spread
Field (10%):	80.9%	2,004.5	72.3	72.2
Beam (50%):	38.3%	947.4	30.7	30.5
Total:	99.7%	2,469.0		



	Efficiency	Lumens	Horizontal Spread	Vertical Spread
Field (10%):	92.7%	2,137.1	99.2	106.4
Beam (50%):	71.5%	1,649.5	60.6	75.9
Total:	99.9%	2,304.4		

Luminance Distribution Vs. Distance

LLP56LB

Narrow(26°) Beam(Max.Distribution

Wide(80°)Beam(Max)Distribution

White Colour

White Colour

	Center Beam LUX	Beam Width
2.0m	1,476.70 LUX	1.1m 1.1m
4.0m	369.18 LUX	2.2m 2.2m
6.0m	164.08 LUX	3.3m 3.3m
8.0m	92.29 LUX	4.4m 4.4m
10.0m	59.07 LUX	5.5m 5.5m
12.0m	41.02 LUX	6.5m 6.6m

■ Vert. Spread: 30.5° ■ Horiz. Spread: 30.7°

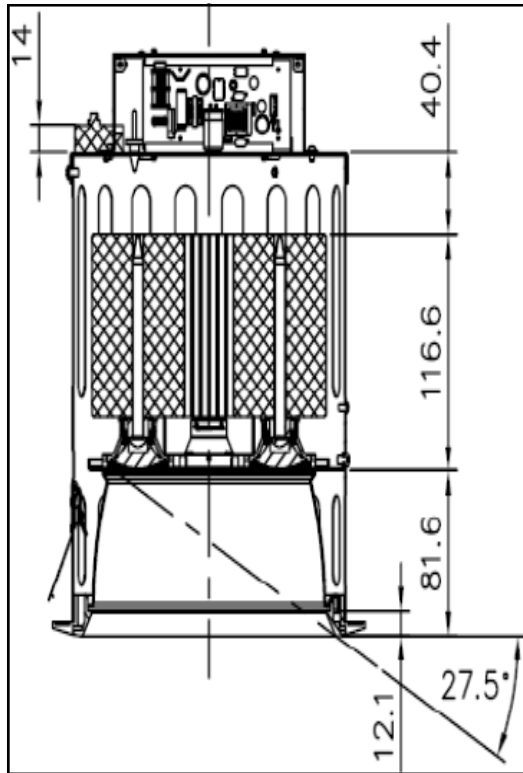
	Center Beam LUX	Beam Width
2.0m	419.40 LUX	3.1m 2.3m
4.0m	104.85 LUX	6.2m 4.7m
6.0m	46.60 LUX	9.4m 7.0m
8.0m	26.21 LUX	12.5m 9.4m
10.0m	16.78 LUX	15.6m 11.7m
12.0m	11.65 LUX	18.7m 14.0m

■ Vert. Spread: 75.9° ■ Horiz. Spread: 60.6°

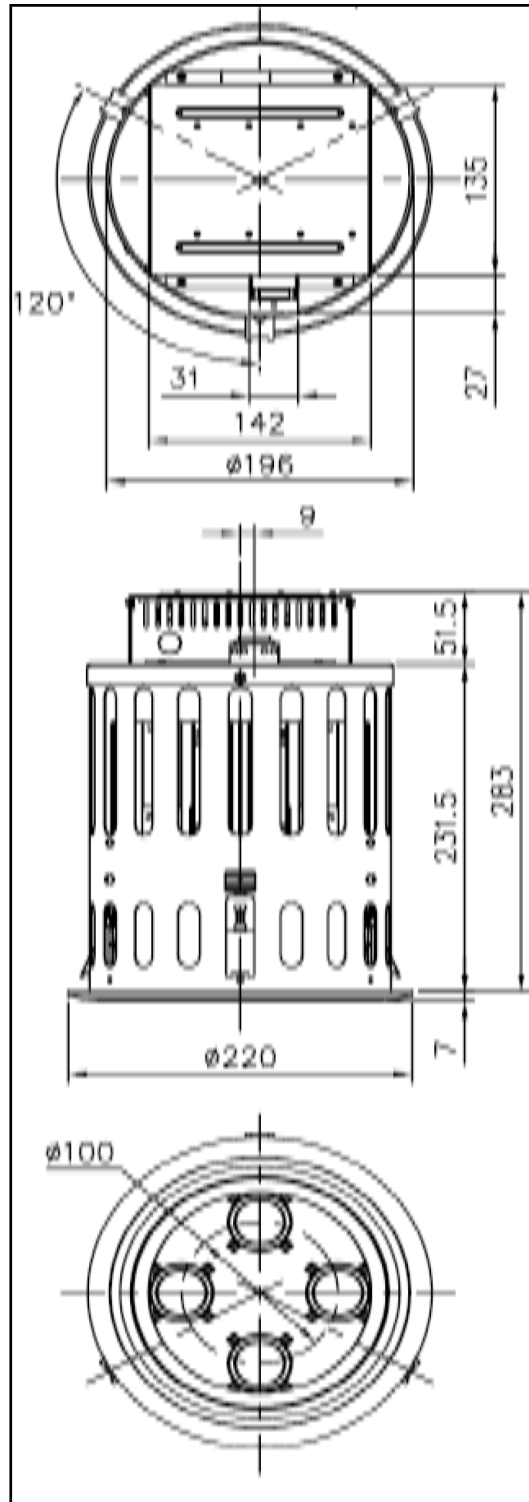
Drawings :

LLP56LB

Dimensions: mm



Car showroom Low Bay application



Specification subject to change without prior notice

Ledlite-Power

9, Farnborough Business Centre, Eelmoor Road, Farnborough, Hampshire. GU14 7QN

Tel: +44 (0) 1252 515565

Fax: +44 (0) 1252 546021

e-mail: sales@ledlite-power.com

web: www.ledlite-power.com